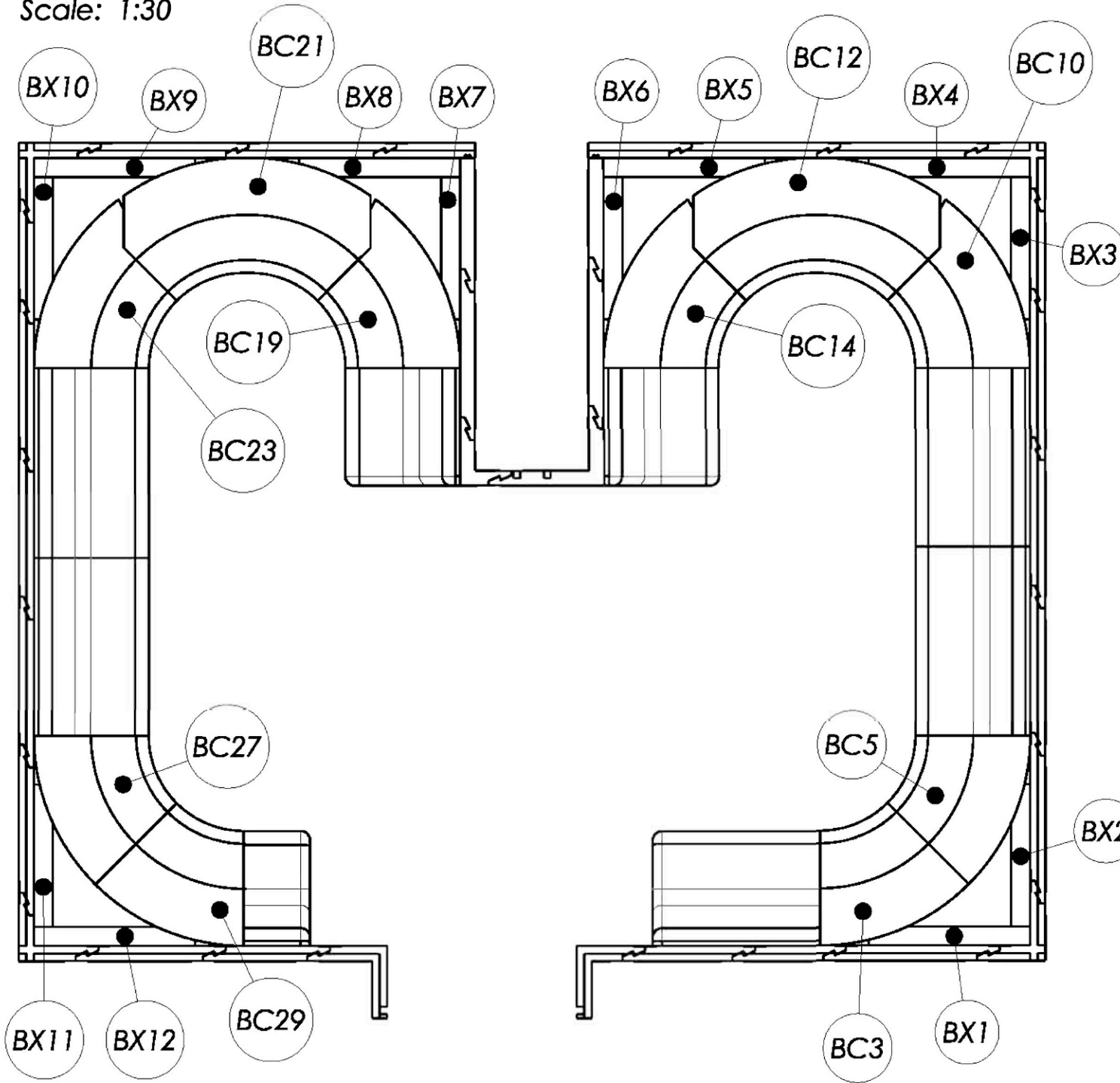
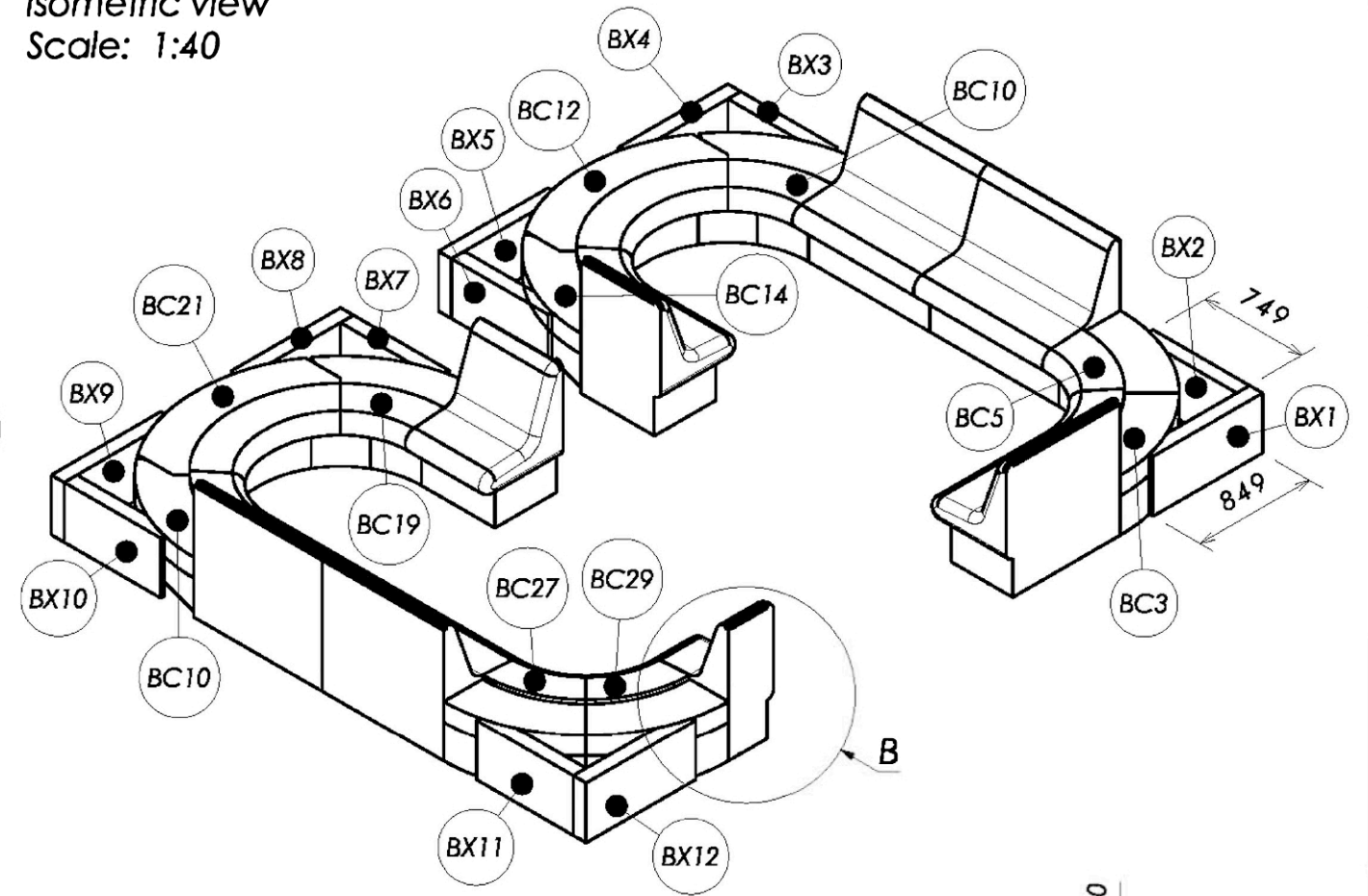


BENCHES 2

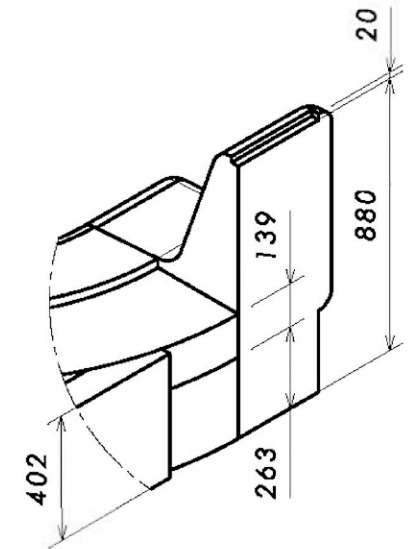
Top view
Scale: 1:30



Isometric view
Scale: 1:40



Detail B
Scale: 1:20



Drafted by:		Date		PROJECT			
Checked by:		Date		FORM A3	REFERENCE	CODE -	REV -
Designed by:		Date		SCALE	WEIGHT	Present.	